

# POWER MONITORING & PROTECTION



## POWER/DATA SURGE PROTECTOR DTK-2MHLP



### DESCRIPTION

The **Ditek Model DTK-2MHLP** series of signal, data and loop circuit surge protectors provide robust protection in a compact package. Designed for ease of installation, with convenient field-replaceable modules. The **DTK-2MHLP** protects two circuit pairs per module. Applications include protection of 4-20mA current loops, alarm pane NAC, SLC and IDC loops, and burglar alarm panels.

### FEATURES

- Multi-stage, SAD technology, hybrid design
- Hard-wire mounting base
- Field replaceable, hot swappable, modular edge card connection design
- Multiple voltage levels for variety of voice/data applications
- Two pairs protected per module, can be extended to ten pairs using a common ground using DTK-MB base

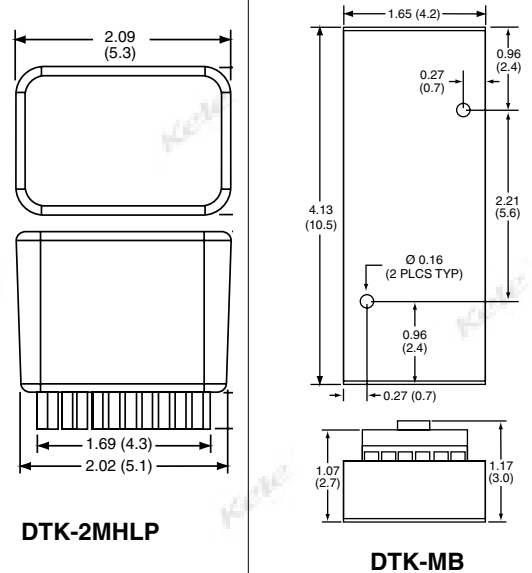


DTK-2MHLP

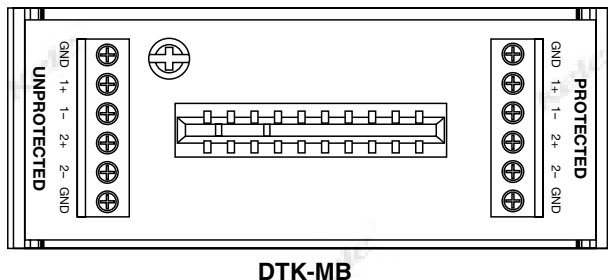
### SPECIFICATIONS

<b>Service voltage</b>			
<b>5B</b>	0-5 VDC	<b>36B</b>	36 VDC
<b>12B</b>	12 VDC	<b>48B</b>	48 VDC
<b>24B</b>	24 VDC	<b>75B</b>	75 VDC
<b>MCOV/Clamping Voltage</b>			
<b>5B</b>	6/6.8 VDC	<b>36B</b>	48/57 VDC
<b>12B</b>	18/21.6 VDC	<b>48B</b>	64/76 VDC
<b>24B</b>	33/39 VDC	<b>75B</b>	90/108 VDC
<b>Max Continuous Current</b>	5A		
<b>Peak Surge Current</b>	20kA		
<b>Data Rate</b>	200kbps (5V) to 2Mbps (130V)		
<b>Protection</b>	L-G (all lines protected)		
<b>Connections</b>	Edge card into DTK-MB mounting base		
<b>Operating Temperature</b>	-40° to 158°F (-40° to 70°C)		
<b>Dimensions</b>	2.1"H x 0.9"W x 1.4"D (5.3 x 2.3 x 3.6 cm)		
<b>Weight</b>	0.08 lb (0.04 Kg) - with base		
<b>Approvals</b>	UL File #E141557		
<b>Warranty</b>	10-year limited		

### DIMENSIONS



### WIRING



DTK-MB

### ORDERING INFORMATION

MODEL	DESCRIPTION
<b>DTK-2MHLP5BWB</b>	Surge protector, 5 VDC data line with base
<b>DTK-2MHLP12BWB</b>	Surge protector, 12 VDC data line with base
<b>DTK-2MHLP24BWB</b>	Surge protector, 24 VDC data line with base

ACCESSORIES	
<b>DTK-3mB</b>	Base for (3) 2MHLP modules w/ common ground
<b>DTK-DRK</b>	DIN Rail mounting kit